

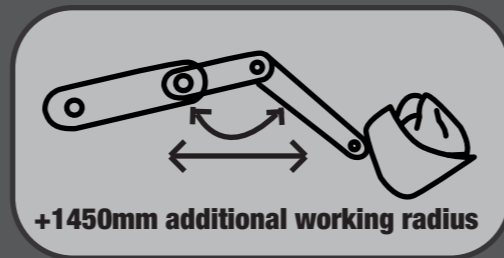
**Telescopic loader concept
X-Tra Lift**



**INNOVATION
AWARD
AGRITECHNICA
SILVER MEDAL**



Concept presentation. STOLL X-Tra Lift.



The STOLL telescopic loader concept is equipped with telescopic profiles and an additional swivel axle. The telescopic profiles are made of high-strength and light-weight steel. The profile design is robust and has been tried and tested for many years.

Fully telescoped and swivelled out, the X-Tra Lift front loader has a minimum working radius extension of 1450 mm in height and width.



Further features.

- Loader holms can be hydraulically telescoped between 500 and 700 mm
- Increase of overloading width
- Truck and wagon can be loaded in the centre
- Always sufficient clearance between side wall and tractor bonnet

Enormous range

- Loading over a fence or trench possible always enoth space between Tra

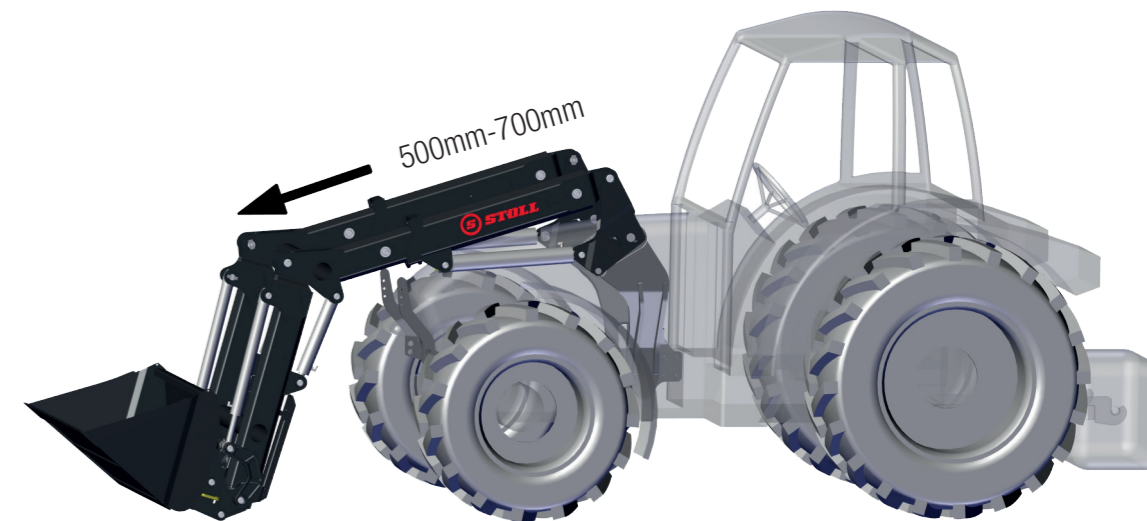
Lifting heights of up to 5450 mm possible

- For tractors of medium sizes around 100 hp with STOLL X-Tra Lift telescopic loader
- Can be operated like a „large“ tractor or telescopic handler
- Goods can be stacked at great heights

Feedback. Now it's your turn!

Please feel free to give us your feedback by e-mail (scan QR code below) or during the trade fair to the STOLL Team.

feedback@stoll-germany.com



Telescopic loader concept. X-Tra Lift.



Wilhelm STOLL Maschinenfabrik GmbH
Bahnhofstraße 21 | 38268 Lengede
Telefon: +49 (0) 53 44 / 20-222
Fax: +49 (0) 53 44 / 20-49182

www.stoll-germany.com

EN-Stoll-Broschüre-X-Tra Lift-2023-v01 -20231023
P1616-11 -2023